

2

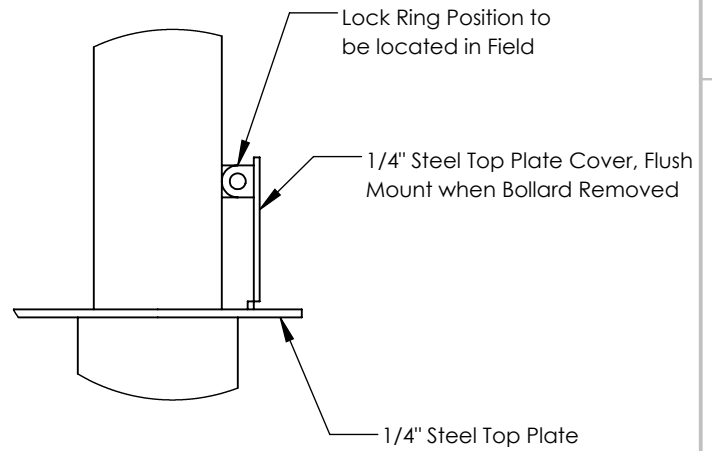
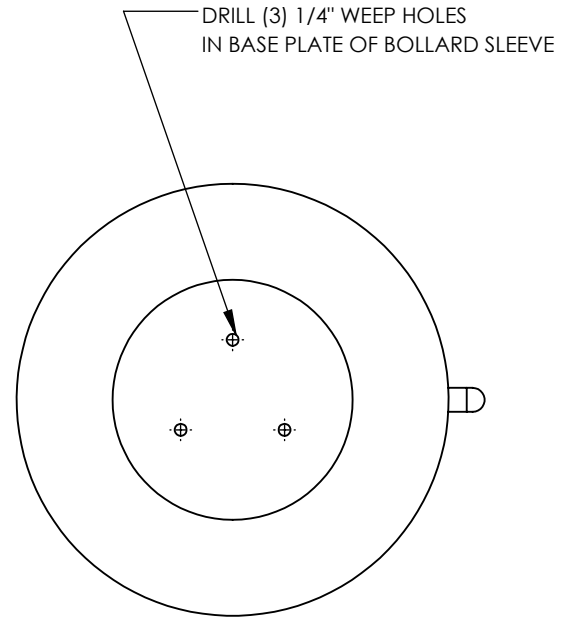
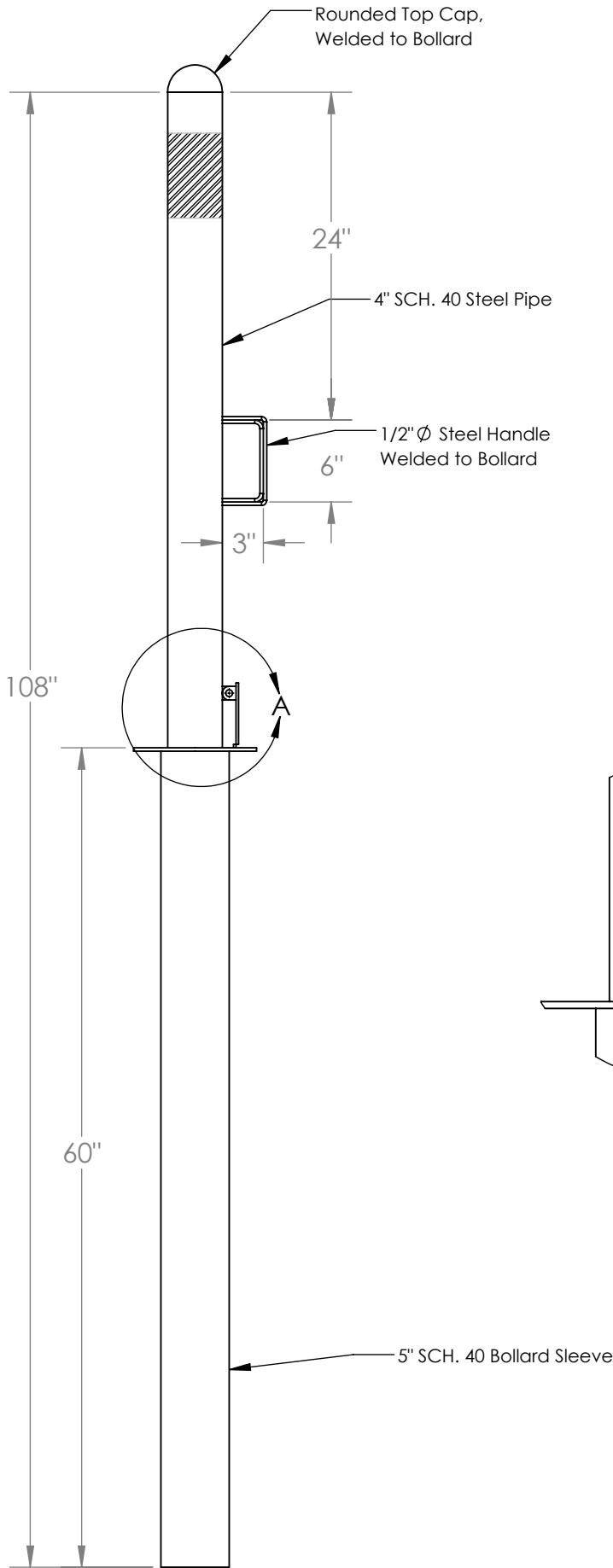
1

B

B

A

A



**TRI-STATE  
STEEL INC.**

Removable Bollard w/ Handle

SHEET 1 OF 1

2

1