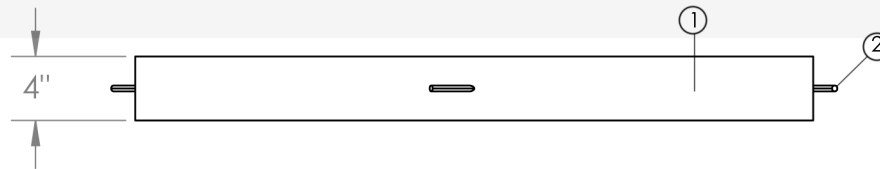
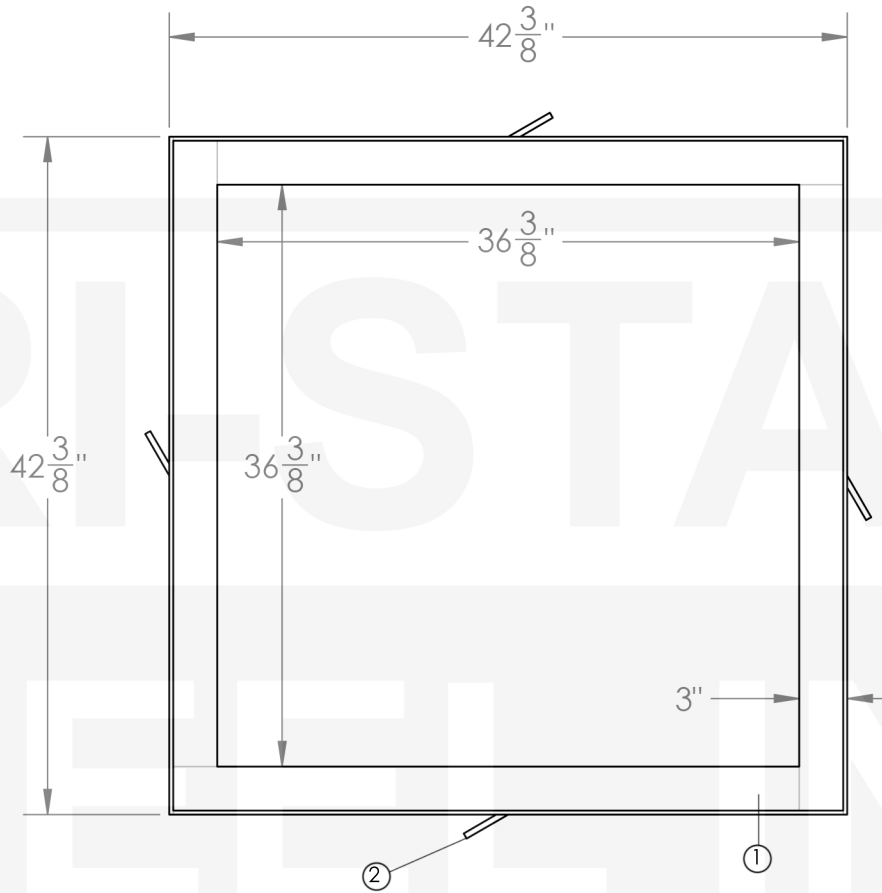


TRI-STATE  
STEEL INC.



BOM

MARK	QTY	MATERIAL
1	4	ANGLE: 3" x 4" x 1/4" x 39 1/8"
2	4	ANCHORS: 3/8"Ø x 4"

**TRI-STATE  
STEEL INC.**

PC 3636 TRAF FRAME

SCALE:1:12 | WEIGHT: ±94.6 LBS

SHEET 1 OF 1